

Solid Wood Linear Ceilings

PRODUCT CHARACTERISTICS

- Solid Wood Linear Ceilings
- Budget flexibility with over 15 wood species
- Range of sizes and modulations
- High quality finishings
- Curved, undulating and special shapes possible
- Quick and invisible mounting

www.hunterdouglasarchitectural.eu

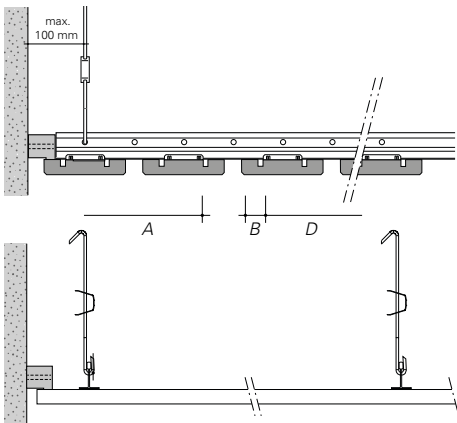
® Registered trademark - a HunterDouglas® product

Project : Wroclavia shopping mall, Wroclaw, Poland
Product : Solid Wood Linear Ceiling, Open System
Architect: IMD Asymetria

HunterDouglas 
Architectural

Derako® Solid Wood Linear Ceilings

TYPICAL SECTIONS



MAXIMUM SPAN

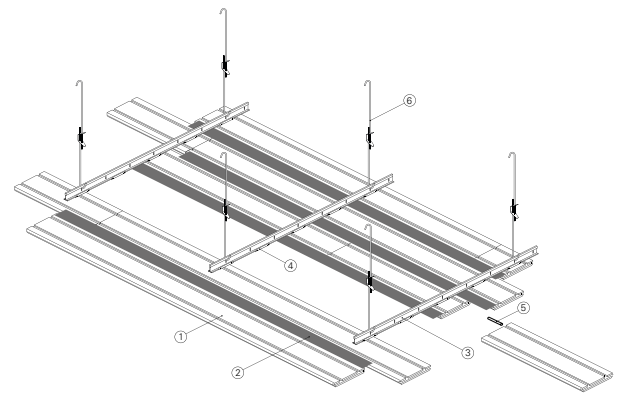
Linear panel	Module (A)	Joint (B)	Thickness (C)	Panel width (D)
Module 111 mm	111 mm	19 mm	15 mm	92 mm
Module 135 mm	135 mm	19 mm	15 mm	116 mm

MATERIAL PROPERTIES

- **Material:** Variety of 15+ wood species, FSC or PEFC certified
- **Sizes:** Minimum length: 900 mm, panel thickness: 15 mm. *Other sizes upon request.*
- **Three ceiling solutions:** Linear Open, Multi-panel & Linear Closed, fixed or 50% demountable
- **Panel widths:** 63 - 184 mm
- **Joint width:** Various possibilities
- **Weight:** 5.0 - 15.0 kg/m²
- **Integral guarantee:** for support systems, wood and finish
- **Fire retardant:** Up to class B-s2,d0, B-s1, do upon request
- **Acoustic** Up to α_w 0.30 - 0.50

CERTIFICATIONS

- French VOC regulation class A
- FSC
- PEFC
- C2C Silver



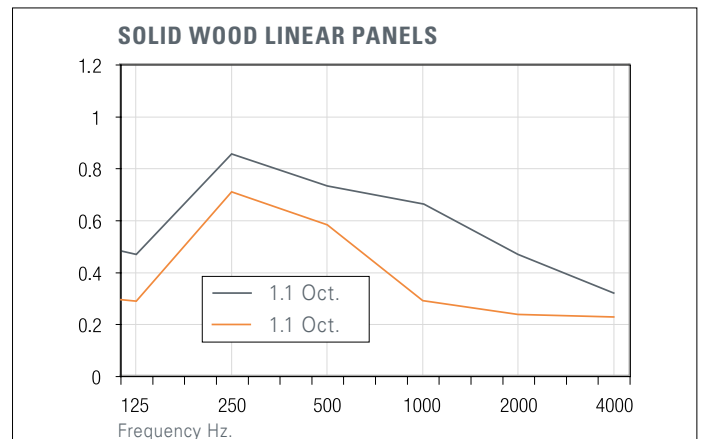
SYSTEM OVERVIEW

- 1 = Solid Wood Linear panel
 - 2 = Pre-applied acoustic non-woven tissue
 - 3 = Carrier
 - 4 = Clip (pre-fixed)
 - 5 = Panel fixation pin
 - 6 = Quick hanger*
- *These items are not included.

ACOUSTICS

The table shows the test results for Solid Wood Linear panels

- 92 mm width, 15 mm thickness, 19 mm joint
- **Wood specie:** Pine
- **Soundtex:** 0.2 mm
- **Test method:** ISO 354:1985/Amd.1:1997 (EN 20354:1993), ISO 11654:1997, ASTM-C423-90a



Solid Wood Linear (without Rockwool) α_w : 0.30 - NRC: 0.50

Frequency (Hz)	125	250	500	1000	2000	4000
1/1 octave	0.29	0.71	0.59	0.35	0.25	0.22

Solid Wood Linear (with Rockwool) α_w : 0.50 - NRC: 0.70

Frequency (Hz)	125	250	500	1000	2000	4000
1/1 octave	0.57	0.83	0.76	0.65	0.47	0.33

AVAILABLE WOOD SPECIES

- American Ash
- Ayous
- European Pine
- European Oak
- American Red Oak
- American White Oak
- Yellow Pine
- Western Red Cedar
- American Yellow Poplar

© Copyright Hunter Douglas Architectural | 4925DR2017en
 © Registered trademark - a HunterDouglas® product Pats. & Pats. Pend. - Technical data subject to change without notice. No rights can be derived from copy, text pertaining to illustrations or samples. Subject to changes in materials, parts, compositions, designs, versions, colours etc., even without notice.

Cradle to Cradle Certified™ is a certification mark licensed by the Cradle to Cradle Products Innovation Institute.



The mark of responsible forestry
FSC® C095185

Hunter Douglas Architectural

Piekstraat 2 | P.O. Box 5072 | 3008 AB Rotterdam | The Netherlands | Tel. +31 (0)10 - 486 99 11
 info@hunterdouglasarchitectural.eu | www.hunterdouglasarchitectural.eu

HunterDouglas
Architectural