

HeartFelt® Linear

CEILING SYSTEM

PRODUCT CHARACTERISTICS

- Modular linear felt system
- Panel dimensions Boxshaped:
40 x 55 mm, 40 x 80 mm, 40 x 105 mm
Rounded: 40 x 64 mm
- 5 shades of grey and 5 earth tones
- Panel length 40HL55: 1000 - 6000 mm
Panel length 40HR64: 1000 - 6000 mm
Panel length 40HL80: 1000 - 6000 mm
Panel length 40HL105: 1000 - 4000 mm
- 16 standard carrier modules offering different joint widths

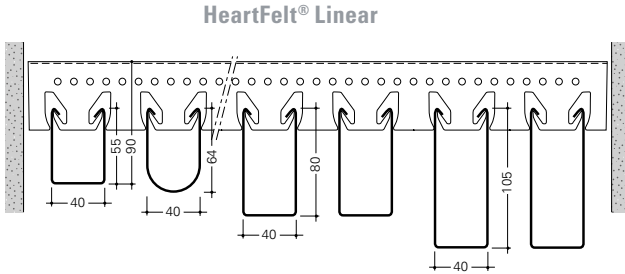
www.hunterdouglasarchitectural.eu

© Registered trademark - a HunterDouglas product

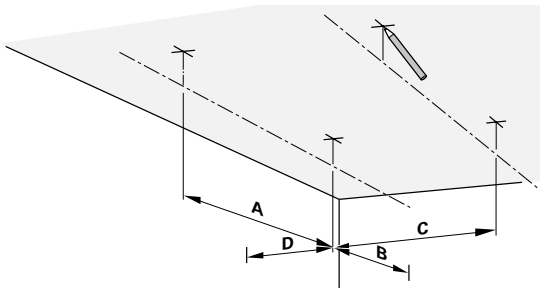


HeartFelt® Linear

PROFILE



MAXIMUM SPAN



Panel	Maximum Carrier span		Maximum Panel span	
	A	B	C	D
HeartFelt® 55/64/80	1500	300	1200	150
HeartFelt® 105	1500	300	900	150

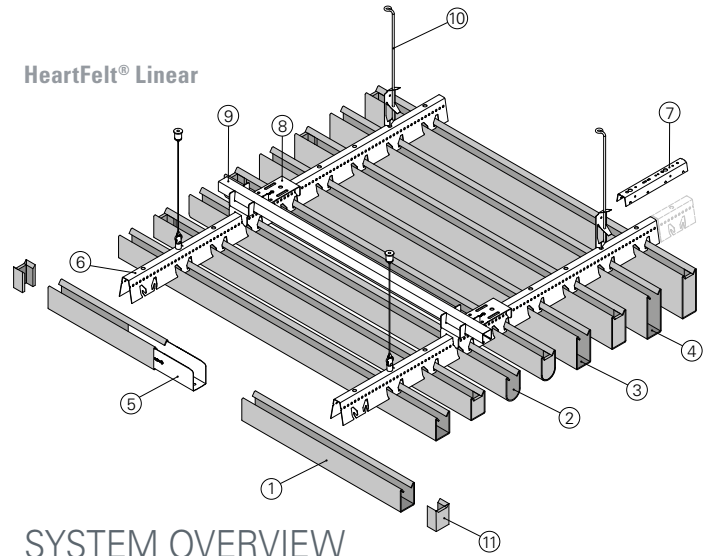
MATERIAL PROPERTIES

- Material:** non-woven, thermoformed PES fibres
- Fire retardant:** class B-s1,d0 EN 13501-1
- Weight:** Panel 40 x 55: 2.9 kg/m² (M50) - 1.7 kg/m² (M100)
- Light reflection:** depending on colour
- Exposure class:** B EN 13964

CERTIFICATIONS

- Indoor Air Comfort Gold
- VOC emission class A+
- Cradle to Cradle Certified® Bronze
- OEKO-TEX® STANDARD 100 class IV

HeartFelt® Linear



SYSTEM OVERVIEW

- 1 = HeartFelt® panel 40HL55
- 2 = HeartFelt® panel 40HR64
- 3 = HeartFelt® panel 40HL80
- 4 = HeartFelt® panel 40HL105
- 5 = Panel splice (available for all Panels)
- 6 = Carrier
- 7 = Carrier splice
- 8 = Stabilisation bracket
- 9 = Stabilisation profile
- 10 = Suspension
- 11 = Endcaps

ACOUSTICS

HeartFelt® Linear

Panel 40HL55 - Panel 40HR64

Module (mm)	Joint (mm)	Openness %	α_w
M50	10	20%	0.70 (H)
M60	20	33%	0.65 (H)
M70	30	43%	0.60 (H)
M70*	30	43%	1.00 (H)
M80	40	50%	0.50 (H)
M90	50	55%	0.45 (H)
M100	60	60%	0.45 (H)

*Ceiling panels covered with mineral wool tiles or acoustic tiles from PES.

Panel 40HL80

Module (mm)	Joint (mm)	Openness %	α_w
M80	40	50%	0.50 (H)
M90	50	55%	0.47 (H)
M100	60	60%	0.45 (H)
M150	110	73%	0.40 (H)

Panel 40HL105

Module (mm)	Joint (mm)	Openness %	α_w
M 100	60	60%	0.50 (H)
M 110	70	64%	0.48 (H)
M 120	80	67%	0.47 (H)
M 150	110	73%	0.42 (H)
M 200	160	80%	0.38 (H)

© Copyright Hunter Douglas Architectural | 0426HF2003eu
 ® Registered trademark - a HunterDouglas product Pats. & Pats. Pend. - Technical data subject to change without notice. No rights can be derived from copy, text pertaining to illustrations or samples. Subject to changes in materials, parts, compositions, designs, versions, colours etc., even without notice.

Cradle to Cradle Certified® is a registered trademark of the Cradle to Cradle Products Innovation Institute.



STANDARD 100
1702004
Centexbel
www.oeko-tex.com